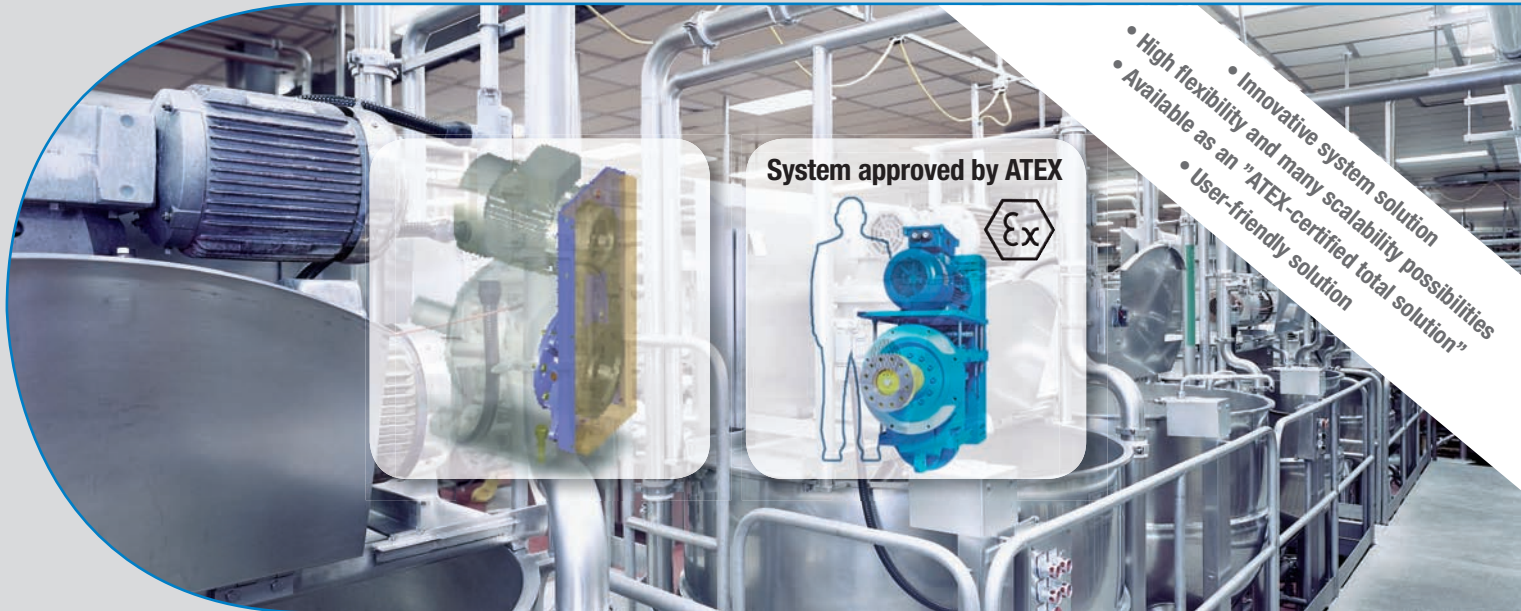


Your application: Handling technology, mixers, agitators

Our solution: Compact drive assembly group with "motor base" design



Drive requirements

- Compact construction
- Standards used for gearbox and motor
- Fast commissioning
- Servicing and maintenance are easy
- Scalable performance features for gearbox and motor
- Flexibility for customer-specific stipulations and usage requirements (e.g., ATEX)

Features of the S4 motor base product design

- Compact total unit based on a standard gearbox motor with free drive shaft and standard IEC motor
- Broad range of geared motors with helical, helical-bevel and parallel shaft gear drive designs
- Scalable product design with diverse gearbox and/or motor options
- Individual configuration of mechanical performance features, e.g., for a total unit made up of gearbox, motor, pulleys, belts, belt guard, and preset tension belt (maximum design)
- Construction suited for good usability, e.g., due to central belt adjustment and alignment
- Certified as a complete mechatronics solution for ATEX Class II, Category 2 and 3 (Gas Zone 1 and 2, Dust Zone 21 and 22)



Premium Stephan S4 solution: motor base product design

- Scalable product design using the Premium Stephan S4 module
- Broad spectrum of options for the «best fit» for your needs
- High flexibility in the installation and attachment configuration
- Covers a large performance spectrum of various types up to motor sizes 132 ... 225 ... 280 (more upon request)

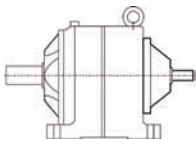
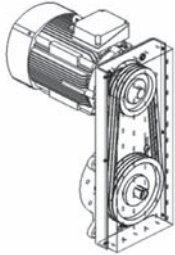
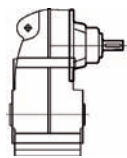
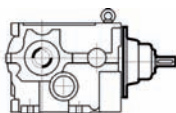
Your benefits with Premium Stephan S4 motor base product design

- Superior cost/performance ratio, due to custom-designed features
- Fast commissioning of the entire unit, due to individual components are well coordinated with each other
- High equipment availability: good accessibility with regard to belt settings and maintenance
- User-friendly system, e.g., due to immediately available parameter settings
- Reduced time and effort for certification/acceptance of the total system for operation in potentially explosive environments (ATEX)

**More than 80 years' experience in geared motor technology. Solutions that bring you further –
PREMIUM STEPHAN**

We help make your job a success!

Performance area for Premium Stephan's motor base design.

Product group	Mounting examples	Motor base module	Nominal ratio range and output torque (Nm) for gearbox size										
	Gearbox with free drive shaft		1 - 6	7	8	9							
SI Helical gearbox			200 - 5000 Nm	- 9000 Nm	- 15000 Nm	- 25000 Nm							
			i = 2,8 ... 63 (2 - stage) i = 12,5 ... 224 (3 - stage) i = 125 ... 30000 (with pre-stage)										
SP Shaft-mounted helical gearbox			200 - 5400 Nm	- 6000 Nm	- 8000 Nm	- 11000 Nm	- 15000 Nm	- 18000 Nm	- 22000 Nm	- 25000 Nm	- 31500 Nm	- 40000 Nm	- 50000 Nm
			i = 3,15 ... 200 (2 - stage) i = 35,5 ... 315 (3 - stage) i = 100 ... 30000 (with pre-stage) i = 6,3 ... 100 ... > 2000										
SK Helical bevel gearbox			200 - 4900 Nm	- 6000 Nm	- 8000 Nm	- 11000 Nm	- 15000 Nm	- 18000 Nm	- 22000 Nm	- 25000 Nm	- 31500 Nm	- 40000 Nm	- 50000 Nm
			i = 7,1 ... 315 (3 - stage) i = 100 ... 30000 (with pre-stage) i = 12 ... 315 ... > 2000										

- Motor sizes 132... 225 ... 280 (more upon request)



Your benefits.

Everything from one source

- Gearboxes and geared motors
- Application-specific products (customisation)
- Product and system solutions (e.g. drive assemblies)

Speed in the implementation of specific requirements (customisation).

- Product modifications (application products)
- Special gearboxes (application/engineered products)
- Special developments (engineered products)

Reliability

- Tried-and-tested S4 product range (successor to Hansen S3)
- Know-how and experience stretching over many years guarantee a well-honed design

"Impossible" is unacceptable

- Problem solving is our forte
- Premium Stephan's purpose is to analyse your specific requirements and to rapidly find solutions

Flexible range of products. Fast implementation. Reliable partnership.



Premium Stephan Hameln

Zweigniederlassung der Premium Stephan B.V.
D – 31789 Hameln / Germany
Ohsener Strasse 79-83
Tel.: +49 (0) 5151 / 780-0
Fax: +49 (0) 5151 / 780-441
Email: info@premium-stephan.com
www.premium-stephan.com

Service

Tel.: +49 (0) 5151 / 780-0

Weekend freecall

0800 43 27 269

(Gearbox)

Email:

service@premium-stephan.com