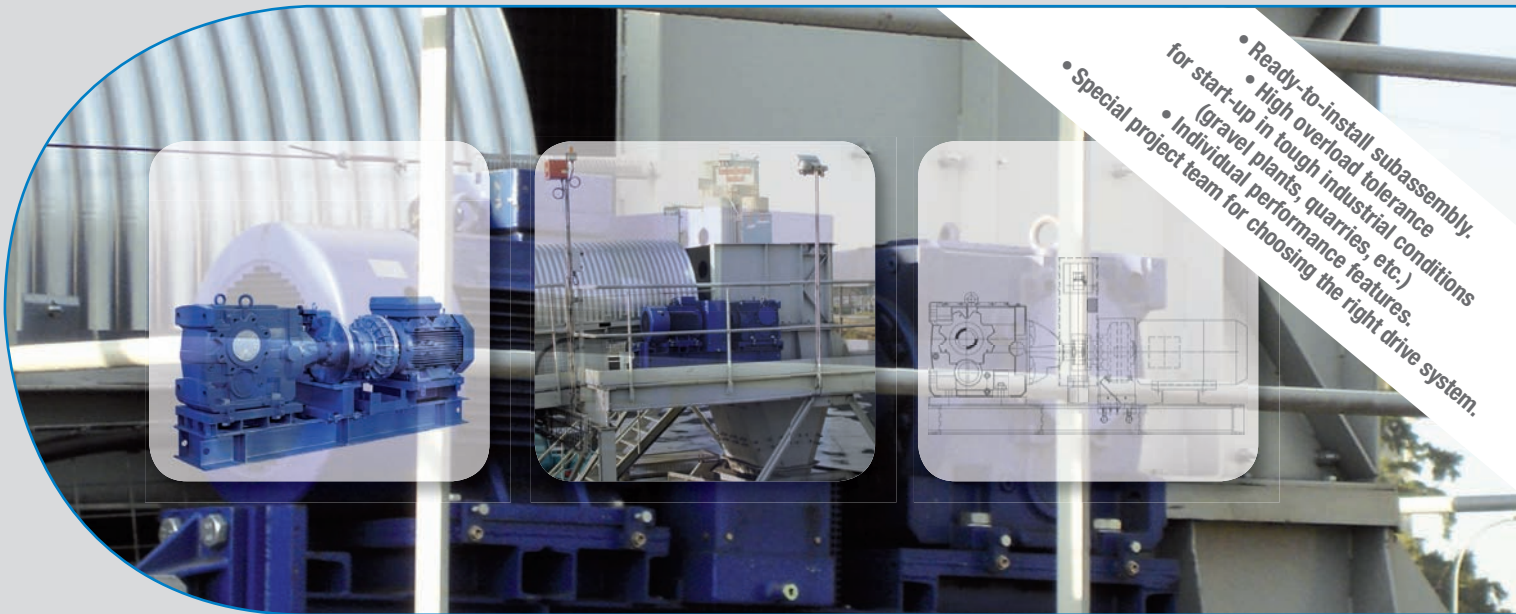


Your application: Handling technology-drive subassembly/motor swing base

Our solution: *C4-HeavyDutyConveyor series*



- Ready-to-install subassembly for start-up in tough industrial conditions (gravel plants, quarries, etc.)
- High overload tolerance
- Individual performance features.
- Special project team for choosing the right drive system.

Requirement profile | Handling technology

Project requirements:

- Support in project planning and drive system design
- Project-specific documentation (layout, languages, contents)
- Design-specific documents, e.g., for gearing design, gearbox/mount temperature under load, welding
- Ensuring and implementing the project roadmap

Product line features

Drive Package C4-HDC – HeavyDutyConveyor

- Complete drive unit with hydraulic starting coupling, gearbox, 3-phase motor on base frame
- Broad, scalable product spectrum of bevel gearboxes custom-designed to meet the needs of heavy duty handling technology
- Large torque range up to 25,000 Nm (S4- product modules), special gearbox up to 50,000 Nm
- Covers a large performance spectrum of various types up to motor sizes 280; ATEX is optional
- High overload reserves for the whole drive subassembly for load jolts and start-up in tough industrial conditions with high mass moments of inertia
- Multiple paint layers, special treatment against corrosion and for long durability are options
- Broad spectrum of optional cooling methods, e.g., oil/air cooler, integrated cooling circuit, fan blades
- Sturdy connection elements, with optional stainless steel design
- Custom-designed name plates, with optional stainless steel design
- Buckling-resistant overall design adapted to the fitting position (angled)

- Construction is easy to service, e.g., equipped with safety covers and drain pans
- Broad spectrum of coupling types/options
- Scalable sealing systems, e.g., Premium Stephan's "High Reliability" AS- Rotary shaft sealing system (Advanced Sealing)
- Scalable bearing service life
- "Long-Life" housing seal system
- Sturdy housing design, available as spheroidal cast iron or welded housing
- Implementation of customer-specific adjustments, e.g., special torque supports or drive/output shafts

Your benefits with Premium Stephan


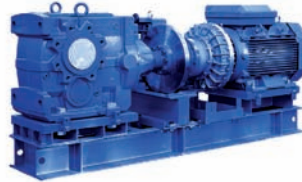
Drive Package C4-HDC – HeavyDutyConveyor

- Highly reliable, due to robust overall design (Heavy Duty Design)
- High availability and longevity of the gearbox, even under the toughest conditions (salt fog, dust, temperature, etc.)
- Optimal cost/performance ratio through custom-designed features
- Fast commissioning of the entire unit, as individual components are well-adapted to each other
- High equipment availability: widely accessible individual components, service-friendly design

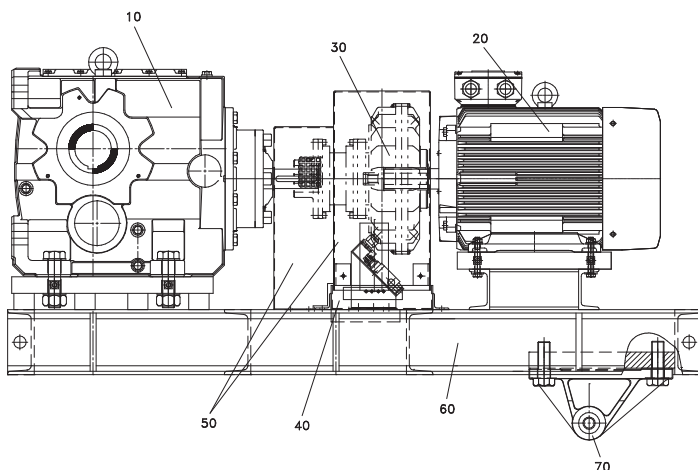
More than 80 years' experience in geared motor technology
More than 25 years' experience in HEAVY DUTY handling technology, e.g., loose bulk materials, rolling mills, etc.

We help make your job a success!

Performance area for Premium Stephan's Gearbox C4 Heavy Duty Conveyor.

Product group	Mounting examples	Nominal ratio range and output torque (Nm) for gearbox size										
		1 - 6	7	8	9							
CI Helical gearbox		200 - 5000 Nm	- 9000 Nm	- 15000 Nm	- 25000 Nm							
		i = 2,8 ... 63 (2 - stage) i = 12,5 ... 224 (3 - stage) i = 125 ... 30000 (with pre-stage)										
CK Helical bevel gearbox		1 - 6	C	D	E	F	G	H	J	K	L	M
		200 - 4900 Nm	- 6000 Nm	- 8000 Nm	- 11000 Nm	- 15000 Nm	- 18000 Nm	- 22000 Nm	- 25000 Nm	- 31500 Nm	- 40000 Nm	- 50000 Nm
		i = 7,1 ... 315 (3 - stage) i = 100 ... 30000 (with pre-stage) i = 12 ... 315 ... > 2000										

Mounting example



- Pos. 10 Helical bevel gearbox
- Pos. 20 Motor
- Pos. 30 Fluid coupling with electrical monitoring
- Pos. 40 Oil sump
- Pos. 50 Safety cover
- Pos. 60 Frame
- Pos. 70 Torque support

Your benefits.

Speed and time to market

- Independent project teams comprising project management, design, order handling and processing
- Practicality and the elimination of non-productive bureaucracy, yet with professionalism in project handling

Professional project management

- Many years of experience with customer-specified developments and series production with international logistics requirements
- Clear processes and standards for project management and milestones ensure process security and efficiency in the customer-supplier relationship

A partner in project engineering

- Many years of experience and references in project engineering
- Customer and project-specific product and project documentation

Flexible range of products. Fast implementation. Reliable partnership.



Premium Stephan Hameln

Zweigniederlassung der Premium Stephan B.V.
D – 31789 Hameln / Germany
Ohsener Strasse 79-83
Tel.: +49 (0) 5151 / 780-0
Fax: +49 (0) 5151 / 780-441
Email: info@premium-stephan.com
www.premium-stephan.com

Service

Tel.: +49 (0) 5151 / 780-0

Weekend freecall

0800 43 27 269

(Gearbox)

Email:

service@premium-stephan.com